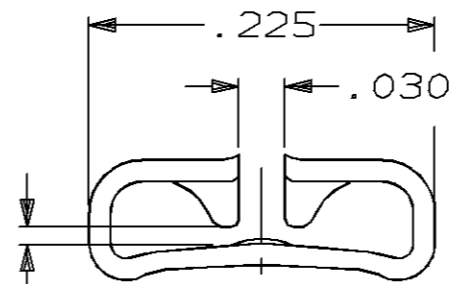
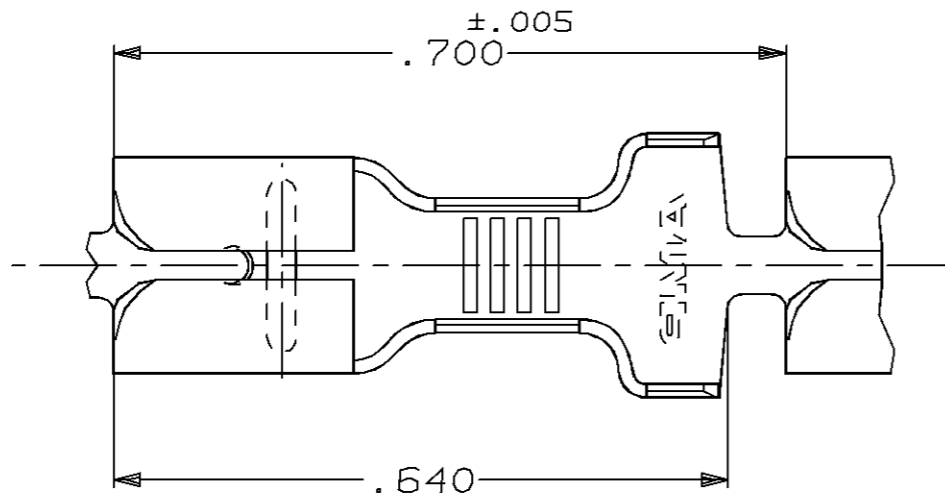


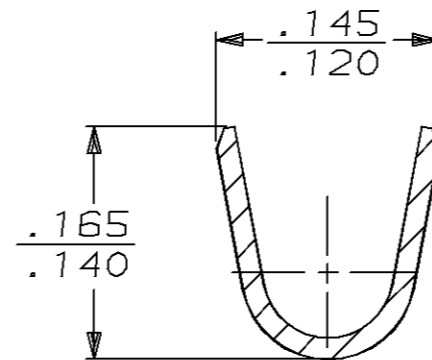
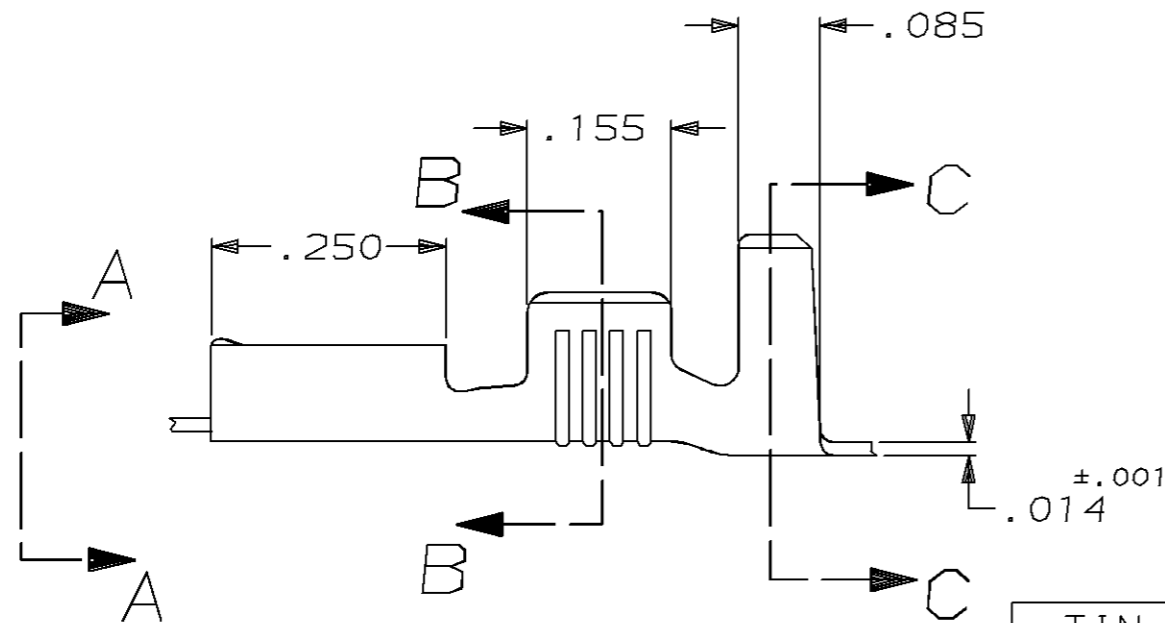
THIS DRAWING IS UNPUBLISHED. RELEASED FOR PUBLICATION, 19
 © COPYRIGHT 19 BY AMP INCORPORATED. ALL INTERNATIONAL RIGHTS RESERVED.

LOC	DIST	P	F	REVISIONS				
AF	50			ZONE	LTR	DESCRIPTION	DATE	APPD
					D	REV PER 0710-0104-96	3/20/96	JR/PD

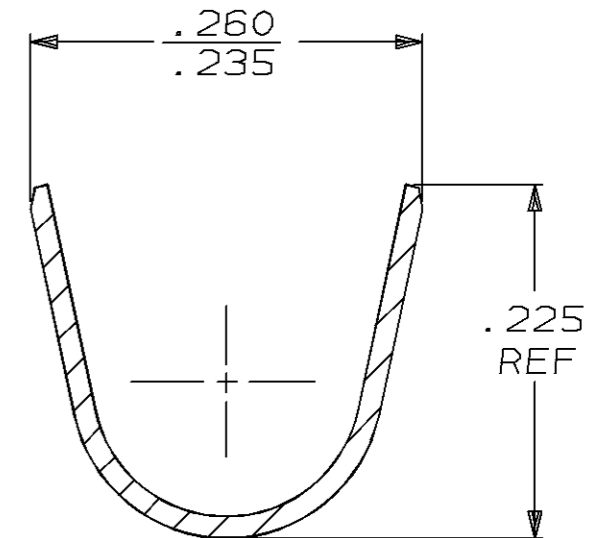
- 1 TIN PLATE .000080 MIN THK.
- 2 CONTINUOUS STRIP ON REELS.



FITS .187 SERIES
 FASTON TAB
 VIEW A-A
 SCALE 8:1



SECTION B-B
 SCALE 8:1



SECTION C-C
 SCALE 8:1

TIN Δ	.150-.190 DIA	#18-14 AWG	.020	62016-2
-				62016-1
FINISH	INSUL RANGE	WIRE SIZE	MATING TAB THK ±.001	PART NO
	DO NOT SCALE PRINT. UNLESS SPECIFIED DIMENSIONS ARE IN INCHES. TOLERANCES ON: 2 PLC DEC ± - 3 PLC DEC ± .010 ANGLES ± -	DR 11/7/91 JR RUTH CHK 11/7/91 MS FEHER APPD 11/7/91 C MEYERS	AMP AMP INCORPORATED Harrisburg, Pa. 17105 NAME RECEPTACLE, FASTON™ .187 SERIES	
	MATERIAL H04 BRASS	APPD 11/7/91 R KUZO PRODUCT SPEC -		
	FINISH SEE TABLE	APPLICATION SPEC -	SIZE B	CAGE CODE 00779
		WEIGHT -	SCALE 5:1	DRAWING NO 62016
			SHEET 1 OF 1	